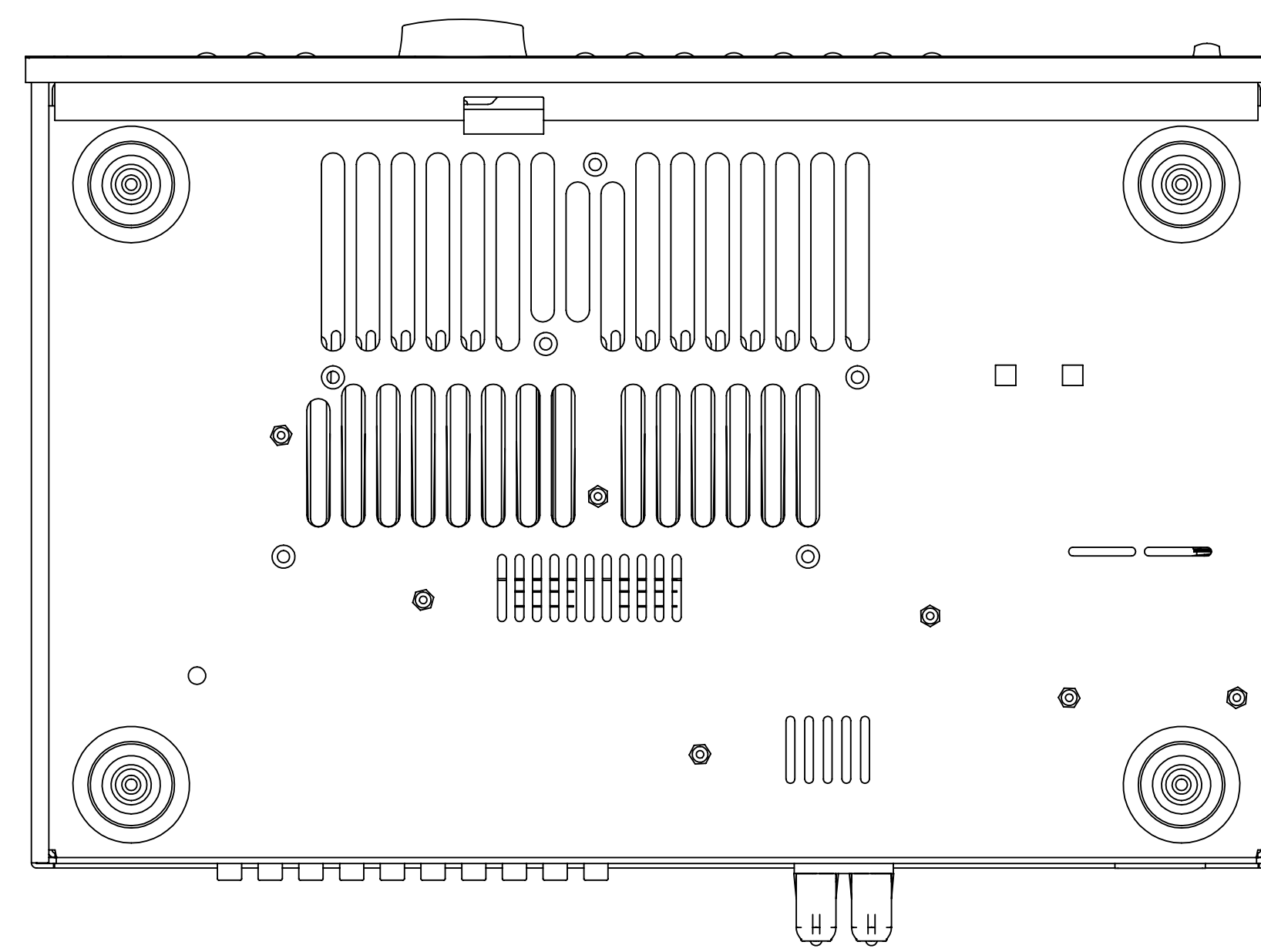
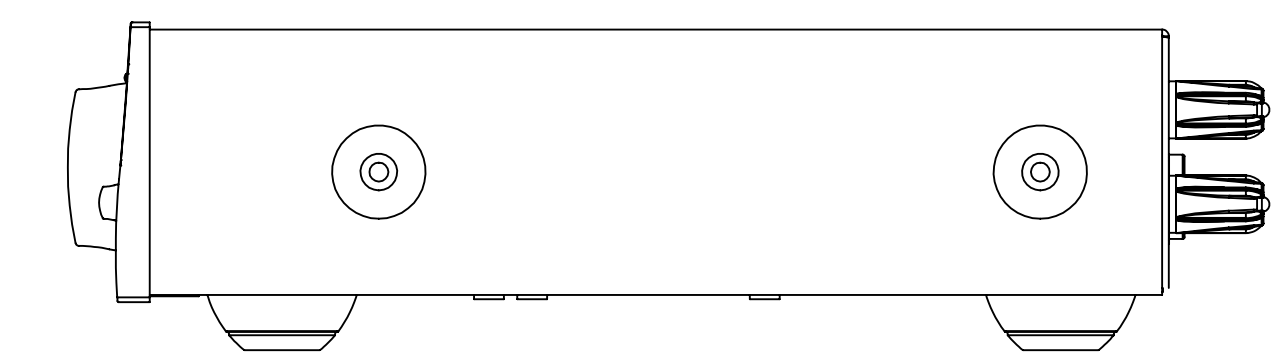
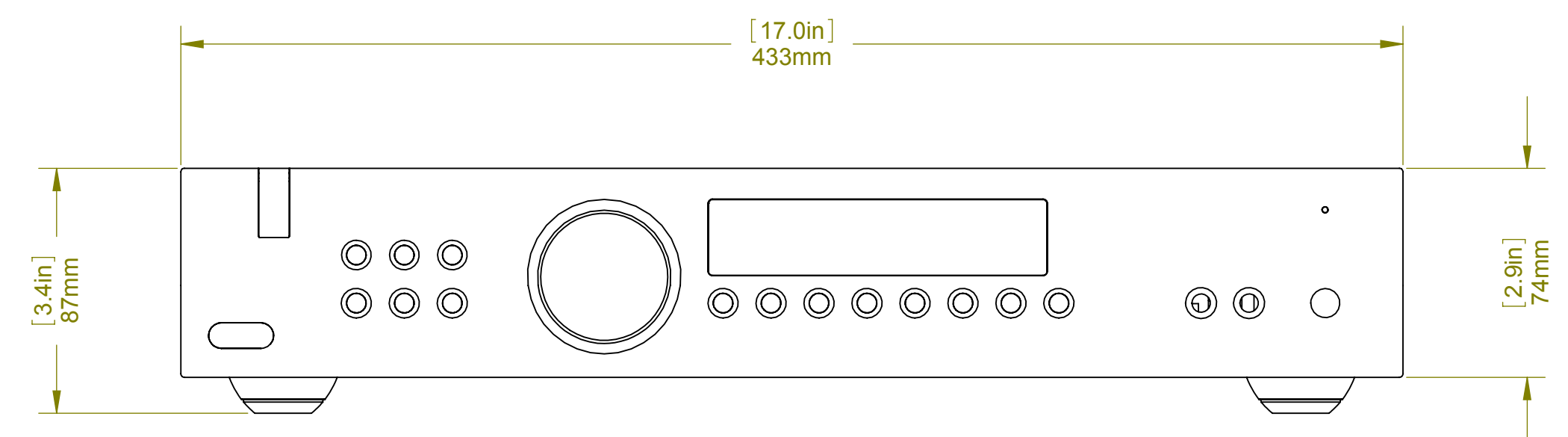
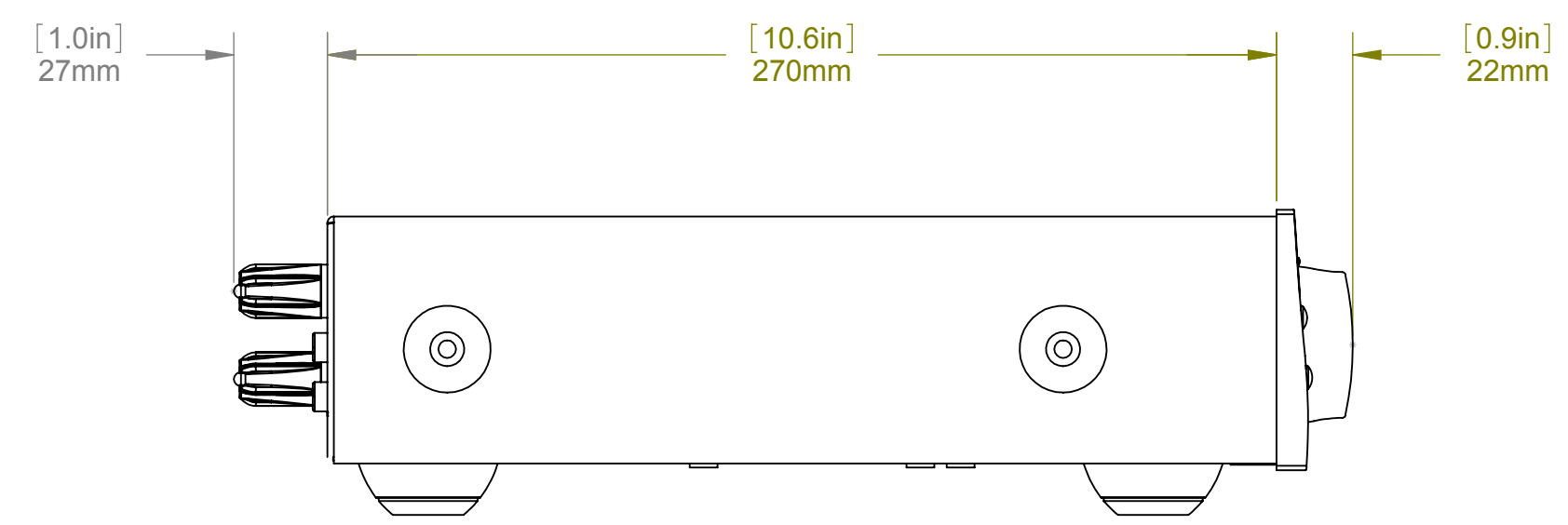
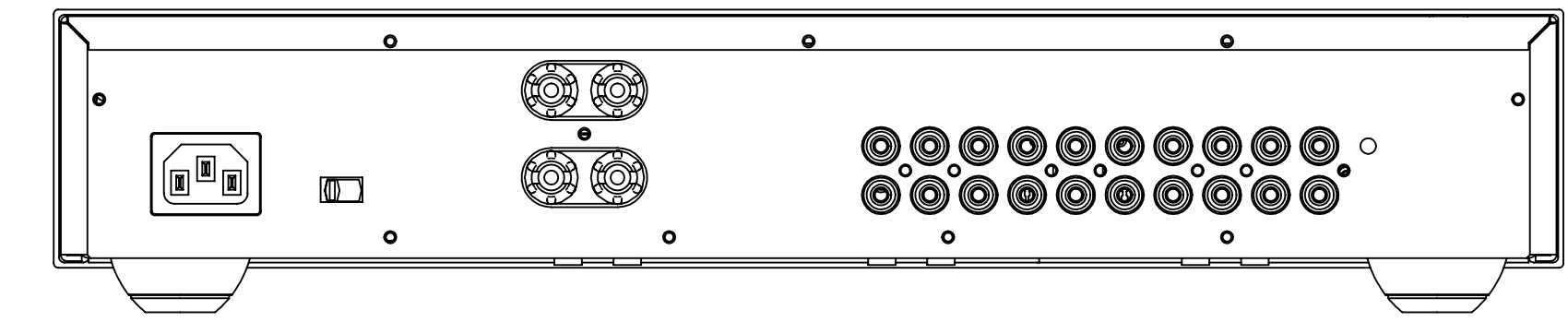
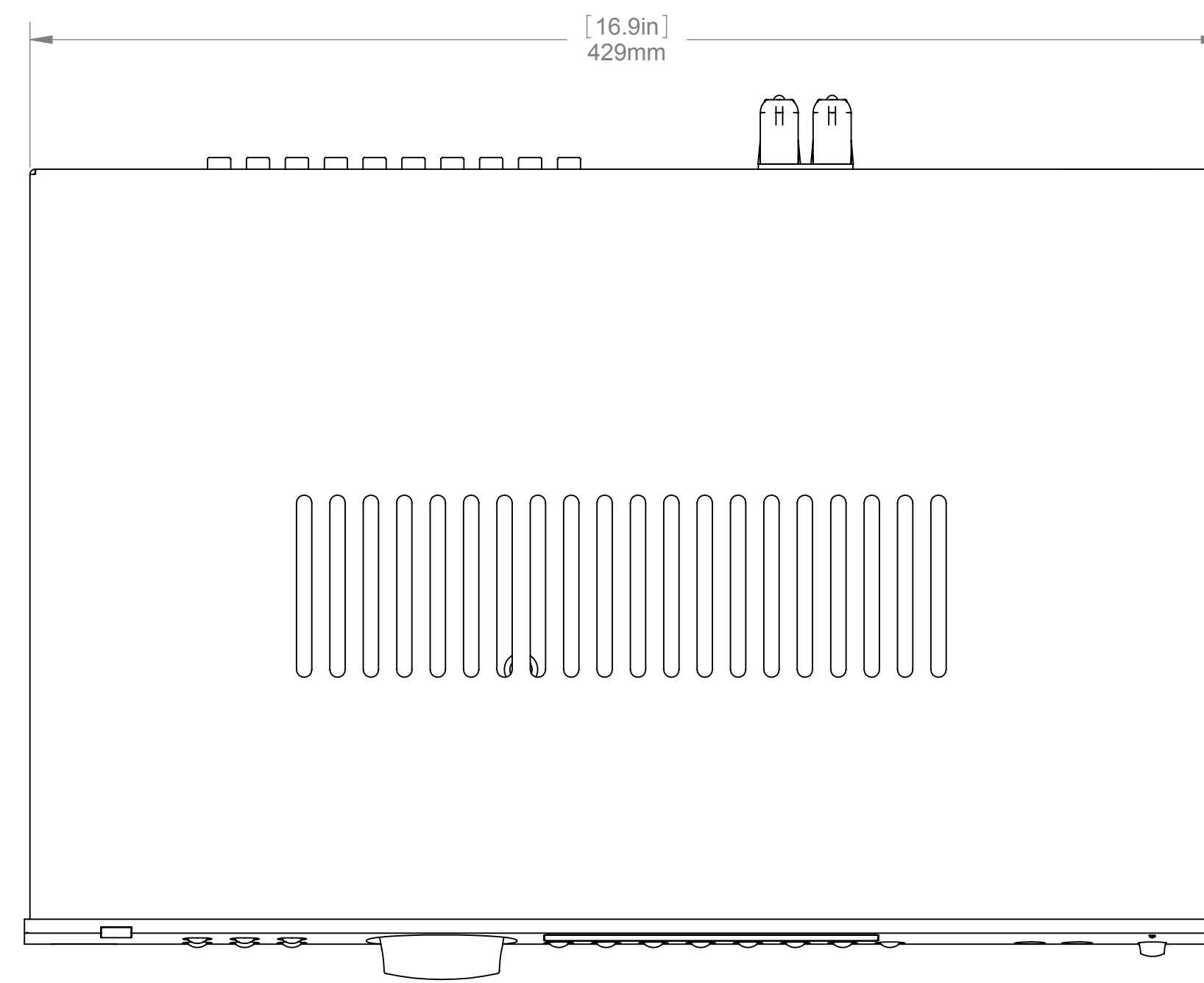


9				10				
ECO NR.	DATE	CHG.	ZONE	DESCRIPTION OF CHANGE		REL.	DR.	CHK.



NOTE:
 ALLOW ADEQUATE CLEARANCE
 AROUND THE PRODUCT FOR
 VENTILATION & CONNECTION

ARCAM A & R CAMBRIDGE LTD LINEAR TOLERANCE ±0.2MM UNLESS OTHERWISE STATED ANGULAR TOLERANCE ±1° UNLESS OTHERWISE STATED	ALL DIMENSIONS IN MILLIMETERS UNLESS OTHERWISE STATED	DRAWN BY:	
		DATE:	13-5-2008
MATERIAL:		CHECKED BY:	
FINISH:		ORIGINAL SCALE 1:2	
PART NUMBER AND DRAWING NUMBER		SHT. 1 OF 1	
A18			
DRAWING TITLE		A1	
A18 ASSEMBLY			

